



Manufactured by
BENKO PRODUCTS
ENGINEERED TO BE MORE

Safety Bridge / Gangway

G-RAFF Safety Bridges / Gangways are specifically designed for various industries and applications that require accessing the top of a vehicle.

Our proven design is perfect for applications where the working range is within 15 degrees above or below the platform height.

• **Cost Effective • Durable Design •**

• **Minimizes Welding and Moving Parts •**



Features

G-RAFF Safety Bridges / Gangways have many unique features:

- Adjustable dual-tension springs in both box channel side panels
- Optional telescoping extension
- Folding handrails and telescoping mid rails are made of heavy wall tubing and are mounted on both sides as standard equipment
- Available with various custom safety enclosures
- Heavy Duty 1/2" bumpers
- Optional powered operation
- Expedited delivery available!
- Can be custom designed to meet various applications

Working Range

Within 15 degrees above or below the working platform height

Materials of Construction

Rugged construction includes:

- Steel, aluminum, and fiberglass models available (or combination)
- Aluminum units have galvanized back box sections and back uprights
- Grip-strut walking surface

Mounting

Choose between:

- Slide-track mounting
- Pivot mounting
- Flush-mount brackets

Expedited Delivery Available

- Contact us for more details!

Installation

Four bolt mounting for easy installation

Safety Enclosures

Various, custom designed safety enclosures are available for all G-RAFF Safety Bridges / Gangways

Engineering

Units can be custom engineered for your application. Contact us for more information on getting started today!

Options

- Larger models may require the use of a manual or electrically operated hydraulic lift package
- Optional side-mount brackets
- Optional welded stops or safety chains prevent the bridge from traveling beyond a predetermined position
- See also our Self-Leveling Safety Stairs for when greater range is required!

Manufactured by:

BENKO PRODUCTS
ENGINEERED TO BE MORE

Benko Products Inc. · 5350 Evergreen Pkwy · Sheffield Village, Ohio · 44054
Phone (440) 934-2180 · Fax (440) 934-4052 · email: sales@g-raffsystems.com
www.benkoproducts.com ----- www.g-raffsystems.com

Always confirm unit dimensions with your sales representative prior to ordering!

Safety Bridge / Gangway



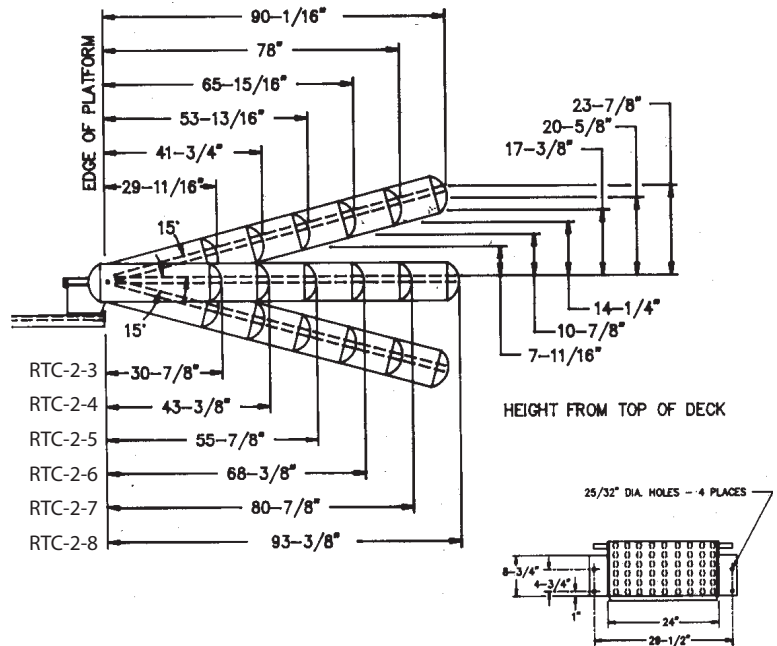
(Custom lengths, widths, and safety enclosures available)

Expedited Delivery Available!

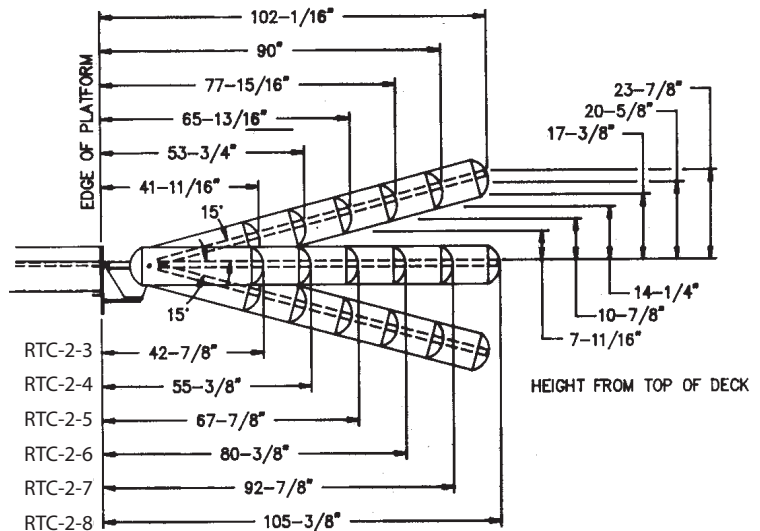


(All G-RAFF Safety Bridges / Gangways and Safety Stairs can be supplied with easily adjusted chain stops for added safety)

Range when Top Mounted



Range when Side Mounted



WARRANTY: All products manufactured by Benko Products, Inc. have a one (1) year warranty (unless otherwise specified) from the date of purchase against defects in workmanship or material. Any part or component, except items covered by warranties of other manufacturers, returned to the factory or service center freight prepaid by the owner, found upon examination by Benko Products, Inc. to be defective or the result of improper workmanship by the factory will be repaired or replaced without charge and returned to the owner freight prepaid by Benko Products, Inc. Any alterations of Benko Products, Inc. products void any warranty or liability on the part of Benko Products, Inc. Benko Products, Inc. does not guarantee product capacity if alterations are made.